



STELLR
STELLR
STELLR

ONE ELEGANT FORM.
A CONSTELLATION OF LIGHTING EFFECTS.
A FIXTURE LIKE NO OTHER.



INFINITE POSSIBILITIES

STELLR™ is a sophisticated lighting fixture, available in surface mount or pendant mount, that contains two concealed, independently controlled on-off, and warm dimmable light sources: a directional downlight within an illuminated sphere.

ACCENT ANY INTERIOR

A refined silhouette complements the full spectrum of design sensibilities, while offering high-performance features that allow for endless and ever-changing lighting effects.



LAYERS OF LIGHT, SHADOW, AND COLOR

Concealed and circulating LED sources allow you to direct the central cluster downward in 25°, 35°, and 55° beams, create a corona with the wave guide, and adjust the warm-dim to reflect time of day and promote circadian rhythms. Standard controls can vary lighting effects in any combination.

DIRECTIONAL

A central downlight draws attention to specific objects or locations.



DIFFUSE

An illuminated substrate offers a glare-free glow.



RADIANT

The spot and ambient lights together create a luminous atmosphere.





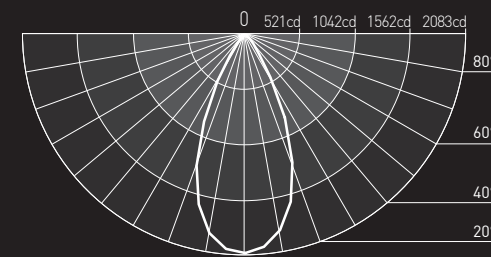
WAVEGUIDE

DOWNLIGHT

DOWNLIGHT + WAVEGUIDE

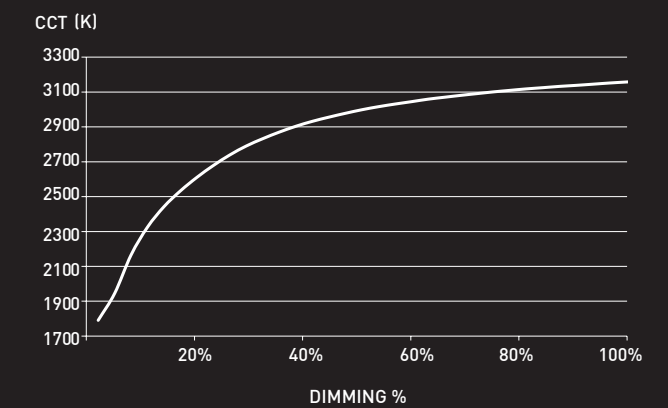
CHANGE YOUR MIND
 CHANGE YOUR MOOD
 CHANGE YOUR LIGHT

DOWN LIGHT

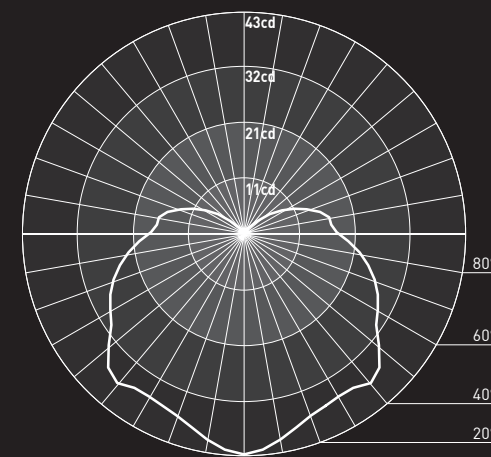


Zone	Luminaire %
0-20	55
0-30	84
0-40	95
0-60	99
0-90	100

DOWNLIGHT	CCT (K)	LIGHT OUTPUT (Lm)	POWER (W)	EFFICACY (LPW)
FULL ON 100%	3200	885	14	63
DIMMED TO 80%	3150	708	11	63
DIMMED TO 70%	3100	619	10	63
DIMMED TO 50%	3000	442	7	63
DIMMED TO 20%	2700	177	3	63
DIMMED TO 10%	2200	88	1.5	63
DIMMED TO 2%	1800	17	0.3	63

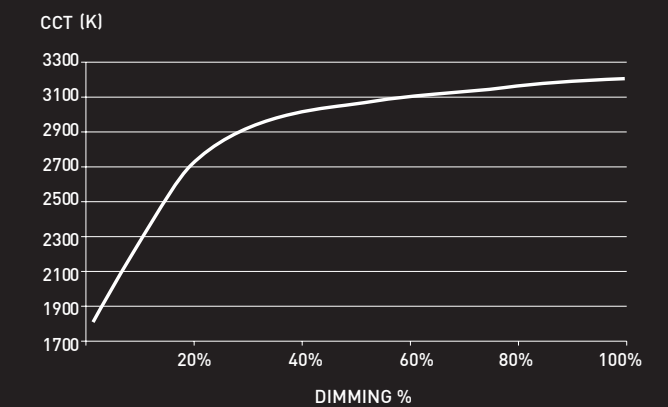


WAVEGUIDE



Zone	Luminaire %
0-20	6
0-30	13
0-40	23
0-60	47
0-90	78
90-180	22

DOWNLIGHT	CCT (K)	LIGHT OUTPUT (Lm)	POWER (W)	EFFICACY (LPW)
FULL ON 100%	3200	608	17	35
DIMMED TO 80%	3150	486	13	35
DIMMED TO 70%	3100	425	12	35
DIMMED TO 50%	3050	304	9	35
DIMMED TO 20%	2700	121	3	35
DIMMED TO 10%	2200	60	1.7	35
DIMMED TO 2%	1800	12	0.3	35



DURABLE

Solid aluminum heatsink keeps LED's at optimal temperature ensuring lifelong performance

DIMMABLE

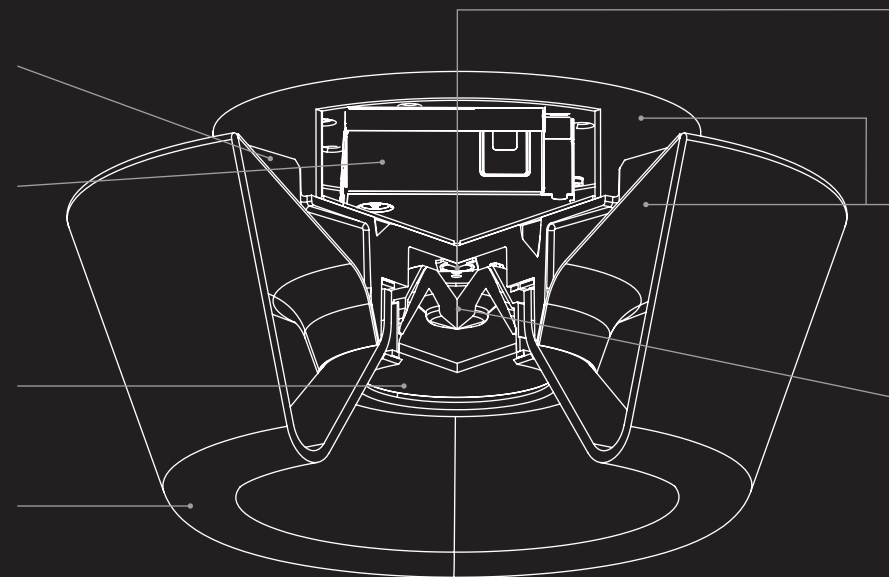
Highest quality drivers provide dimming down to 0.1%

FLEXIBILITY

Media effect device shields and spreads the downward light

SOPHISTICATION

Advanced waveguide creates beautiful layers of light with an elegant, timeless design



POWERFUL

Two independent LED sources provide high-quality, efficient, and versatile light

FINISHES

Aluminum alloy structure offered in a high-quality powder coat

PERFORMANCE

Premium optics deliver downward light in 3 distinct beam angles

Patents pending; STELLR™

SPECIFICATIONS	DOWNLIGHT	VOLUMETRIC	BOTH SOURCES
LIGHT SOURCE	LED COB	LED Mid-power	Combo
DELIVERED LUMEN 3000K 80/90CRI	1358lm / 1159lm	675lm / 610lm	2033lm / 1769lm
SYSTEM WATTAGE	18W	16W	34W
LIGHT DISTRIBUTION	Direct	Omni-directional	
CRI	80+ CRI or 90+ CRI		
CCT	2700K, 3000K, 3500K, 4000K, and Warm Dim		
STRUCTURE	Extruded, die cast, spun aluminum, polycarbonate, Nylon, and PMMA polymers		
COLORS	White, Black, Silver, and Gold		
VOLTAGE	120-277VAC		
DRIVER	Constant current using Lutron, eldoLED or ERP drivers		
DIMMING	Phase dimming, 0-10V dimming, DALI, and Lutron ECosystem		
WARRANTY	1 year- Workmanship, 5 year- LED and Power supply		



TITLE 24 COMPLIANT

JAB-2019 Indicated by shading

SERIES

S STELLR

SIZE

2 Medium 10.2"

FIXTURE TYPE

C Ceiling Mount

WAVEGUIDE

S Standard

REFLECTOR COLOR	CANOPY COLOR	DOWNLIGHT LUMEN PACKAGE	WAVEGUIDE LUMEN PACKAGE	OPTIC	EFFECTS DEVICE	DRIVER	MOUNTING
WH White BK Black AG Satin Silver AU Cashmere Gold CF Custom Finish* <small>*(Consult Factory)</small>	WH White BK Black AG Satin Silver AU Cashmere Gold CF Custom Finish* <small>*(Consult Factory)</small>	STATIC WHITE 8027 80+ CRI, 2700K <small>Dlvd. Lumens - 1304</small> 8030 80+ CRI, 3000K <small>Dlvd. Lumens - 1358</small> 8035 80+ CRI, 3500K <small>Dlvd. Lumens - 1372</small> 8040 80+ CRI, 4000K <small>Dlvd. Lumens - 1385</small> 9027 90+ CRI, 2700K <small>Dlvd. Lumens - 1113</small> 9030 90+ CRI, 3000K <small>Dlvd. Lumens - 1159</small> 9035 90+ CRI, 3500K <small>Dlvd. Lumens - 1171</small> 9040 90+ CRI, 4000K <small>Dlvd. Lumens - 1182</small>	STATIC WHITE 8027 80+ CRI, 2700K <small>Dlvd. Lumens - 621</small> 8030 80+ CRI, 3000K <small>Dlvd. Lumens - 675</small> 8035 80+ CRI, 3500K <small>Dlvd. Lumens - 675</small> 8040 80+ CRI, 4000K <small>Dlvd. Lumens - 709</small> 9027 90+ CRI, 2700K <small>Dlvd. Lumens - 561</small> 9030 90+ CRI, 3000K <small>Dlvd. Lumens - 610</small> 9035 90+ CRI, 3500K <small>Dlvd. Lumens - 610</small> 9040 90+ CRI, 4000K <small>Dlvd. Lumens - 641</small>	15 15° 35 35° 55 55°	STANDARD EFFECTS DEVICE 0 No lens OPTIONAL EFFECTS DEVICE 2 Honeycomb Louver 3 Clear Glass Lens 4 Soft Focus Lens	INTEGRAL PH 1% 120V ELV/TRIAC SG 120V or 277V 1% 0-10V Analog, LOG SN 120V or 277V 1% 0-10V Analog, LIN IG 220V-240V 1% 0-10V Analog, LOG IN 220V-240V 1% 0-10V Analog, LIN DD 120V-277V eldoLED, DUALdrive 0.1% DALI, LOG EG 120V-277V eldoLED, SOLOdrive 0.1% 0-10V, LOG EN 120-277V eldoLED, SOLOdrive 0.1% 0-10V, LIN REMOTE LP 120V or 277V Lutron, Hi-Lume Premiere Ecosystem	J Standard, J-Box Surface Mounting Plate E International Surface Mounting Plate C 1/2" and 3/4" Conduit Ceiling Mount Junction Box* <small>*(Finish specified in canopy color section)</small>
		WARM DIM 90WD 90+ CRI, 3200K - 1800K <small>Dlvd. Lumens - 885*</small> <small>*(Required for both sources)</small>	WARM DIM 90WD 90+ CRI, 3200K - 1800K <small>Dlvd. Lumens - 608*</small> <small>*(Required for both sources)</small>				

INSTANT AMBIANCE

Whether it's haute cuisine or a high-end hotel, a private residence or a corporate HQ, now you can focus attention, highlight objects, create a vibe, and endlessly adjust the sensibility of your space with one extraordinary fixture.



A GLOWING WAVEGUIDE
A DIRECTIONAL DOWNLIGHT
A FIXTURE FULL OF RADIANCE

STELLR