



KASSIO

DISCREET AND EFFECTIVE





KASSIO

Pathway Lighting



The Kassio bollard suits both urban and architectural projects but also blends with other decors, parks, squares and alleys. The broken lines and asymmetrical profile provide a new design and modern style, producing an original look of elegance. The Kassio bollard is available in 3 heights to suit your design.



Update: June 10, 2017
All informations are subject to change without notice.



Highlights



Technical characteristics

- Simple and resistant form.
- Available in 3 sizes 900, 1200 and 1500 mm.
- Sealed Head.



Lighting performance

- One of the best LEDs on the market.
- Efficient and soothing lighting, ideal to indicate pedestrian and cycling paths.
- Asymmetric or circular lighting possibilities save to the LED system and lens modularity.
- Very low light pollution: ULOR* 1.6%.
**ULOR = Upward Light Output Ratio.*
- LED life cycle: up to 100 000 hours.
- Maximum LED efficiency thanks to good thermal management.



Installation & maintenance

- Easy installation.
- Access to the class II box (not included) from the access hatch on the rear of the bollard.
- 1 m pre wired up to the box.



Appearance

- Ragni's conception and design
- Simple and versatile design, integrable in urban or landscaped areas.
- Bollard combining vertical and inclined plane.
- Available in two-colored version.
- Creation of coordinated projects by associating with Kassio luminaire.



Environmental and social responsibility

- No light directed towards the sky.
- Eco responsible conception.
- Avoids any nuisance for roadside properties and the environment.
- Low CO₂ emissions thanks to the choice of materials, the high-performance optical system and a reduced amount of packaging.
- Adapted to PRM (People of Reduce Mobility).





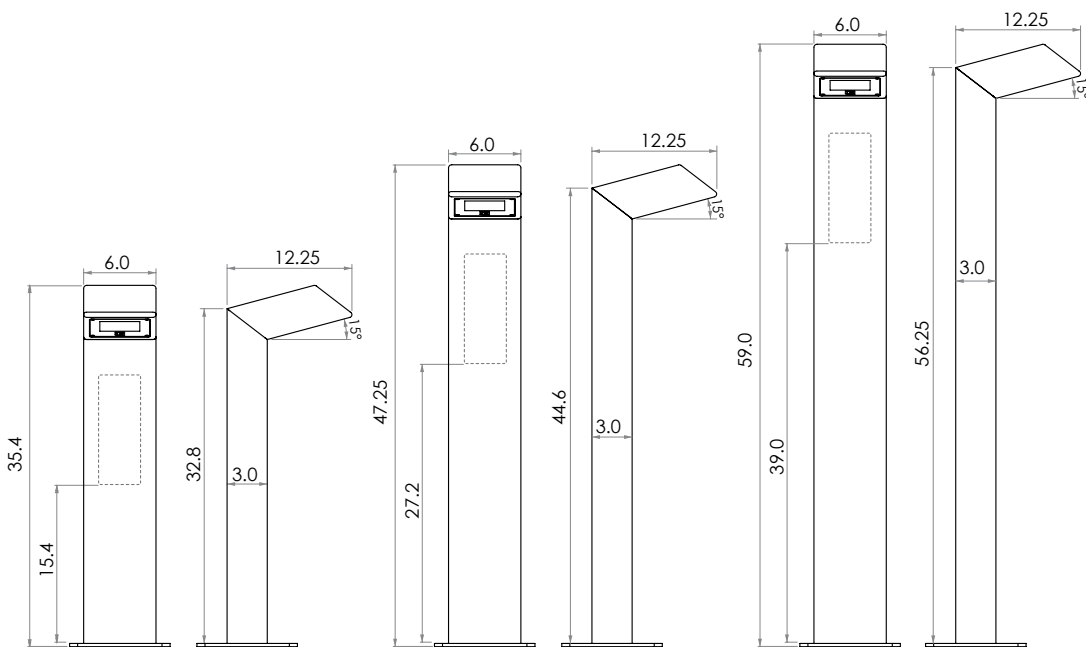
KASSIO



Technical characteristics

	Kassio 900	Kassio 1200	Kassio 1500
Hauteur (in)	35.5	47.25	59.0
Poids (lbs)	44	55	66
Protection index			
Optical unit		IP 66	
Énergie de choc / Shock resistance		IK 10	
Materials			
Body		Gavanized steel	
Head		Cast aluminum	
Protection		ME RESIST	

Dimensions (in)



Kassio 900

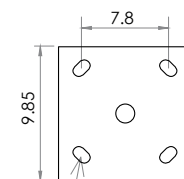
Kassio 1200

Kassio 1500

Door (back of the bollard):
5.1 x 11.0 in.

In the case of a sealing block installation, recommended dimensions:
0m30 x 0m30 x 0m40

Base plate



4 anchor bolts M14/Ø16x300 (not supplied)



Technical Characteristics

Electrical Characteristics

- Power current up to 700mA
- Electrical class: I and II
- Incorporated driver.
- Optional surge protector or over/under voltage protection.
- Optional lighting management systems: automatic adjustment with up to 5 levels depending on the time of day, presence detection, constant flux, graduation via voltage variation, command 1-10V or DALI.

Voltage range (V)

Module 8 LED	21-24 V
Module 16 LED	42-48 V





KASSIO



Lighting performance

LED module

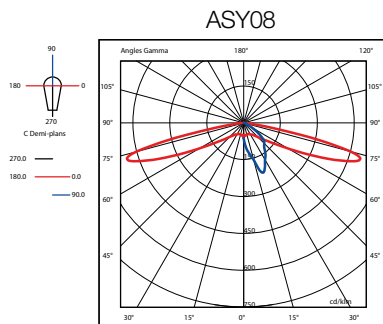
We have selected our LEDs from the best on the market for their quality and efficiency.

- LED manufacturer: CREE
- Assigned LED's life cycle: 100 000 hours.
- Lumen maintenance, ex : L85 100 000 hrs @ 350mA, 85% of the luminous flow at 100 000 hrs @ 350mA.
- Color temperature: 3000K or 4000K (other color temperatures on request)
- CRI above 70



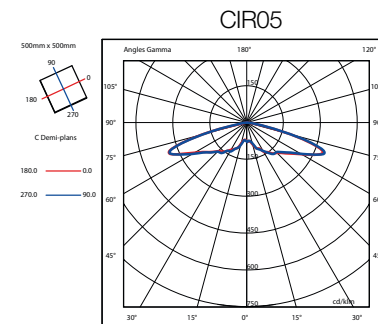
Photometric distributions

Asymmetrical



Designed for intensive road lighting. The ASY08 lens is optimised to adapt to the typology of the area to be lit. It is ideal for pedestrian paths and cycle paths.

Circular distribution



Designed for circular or rectangular ambient lighting. The CIR05 lens is optimised to offer broad distribution to cover maximum surface area.

Powers and luminous intensities

LUMINAIRE OUTPUT DATA (T_j @ 85°C)

3000 K	350 mA			500 mA			700 mA		
	P _t (W)	Φ (lm)	(lm/W)	P _t (W)	Φ (lm)	(lm/W)	P _t (W)	Φ (lm)	(lm/W)
Nombre de LED Number of LED									
8	10.5	1010	96	14.5	1440	99	20	1900	95
16	19	2020	106	26.5	2885	109			

4000 K	350 mA			500 mA			700 mA		
	P _t (W)	Φ (lm)	(lm/W)	P _t (W)	Φ (lm)	(lm/W)	P _t (W)	Φ (lm)	(lm/W)
Nombre de LED Number of LED									
8	10.5	1150	110	14.5	1560	108	20	2050	103
16	19	2300	121	26.5	3120	118			

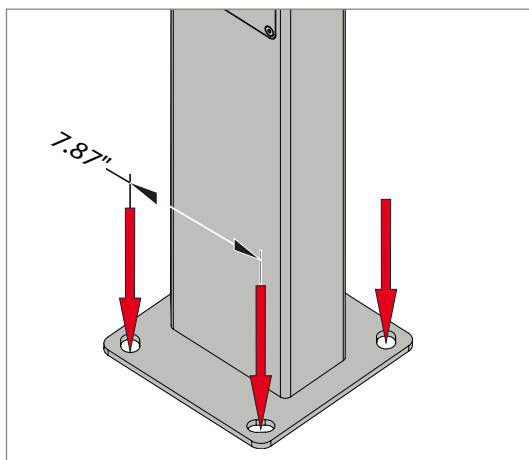
P_t (W) = Total power consumption including driver consumption
 Nominal flux (lm)
 Luminous efficiency (lm/W)



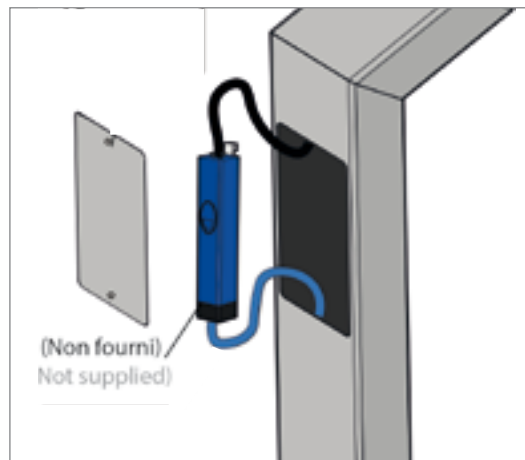
KASSIO

Installation & maintenance

Installation

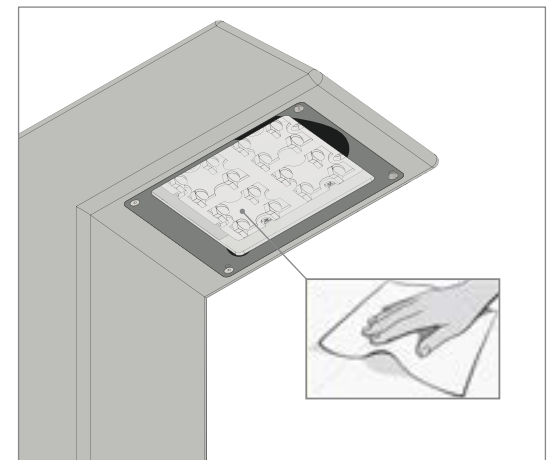


Fastening: 4 embedding rods Ø16 / M14x300mm



Door opening via 2 screws BTR for electric housing access.

Luminaire maintenance



Glass cleaning.

Fixture	Size	LED Module	Color Temp	Driving Current	Dist	Line Voltage	Color
KASS		FF					
	S - (35")	8	3 - (3000 K)	35 - (350 mA)	T2 - (Type II)	120 V	Black
	M - (47" ft)	16	4 - (4000 K)	50 - (500 mA)		220 V	Bronze
	L - (59" ft)			70 - (700 mA)		277 V	Silver
	C - (choice)			90 - (900 mA)		347 V	White
						480 V	RAL #
						UNV	



KASSIO



Esthétique
Appearance

With its chisel tip, the design of the Kassio bollard is effective, clean and original. Both an element of street furniture and a lighting device, it will dress modern places as well as more classic or remote areas. With its 3 different heights and choice to paint it with one or two colors of your choice, it will fit any decor.

- Standard colors: RAL as per the customer's choice.

Color and finish examples:

